

UNDER 20 GIRLS GRADING MAP 2011-2012

GRADING PHASE ONE
February 3rd, 10th and 17th

CROSS OVER MATCHES
March 2nd

CROSS OVER MATCHES
March 9th

CHAMPIONSHIP PHASE

POOL ONE				
A	B	C	D	E
1	2	3	4	5
10	9	8	7	6
11	12	13	14	15
20	19	18	17	16

POOL TWO				
A	B	C	D	E
21	22	23		
26	25	24		
27	28	29		

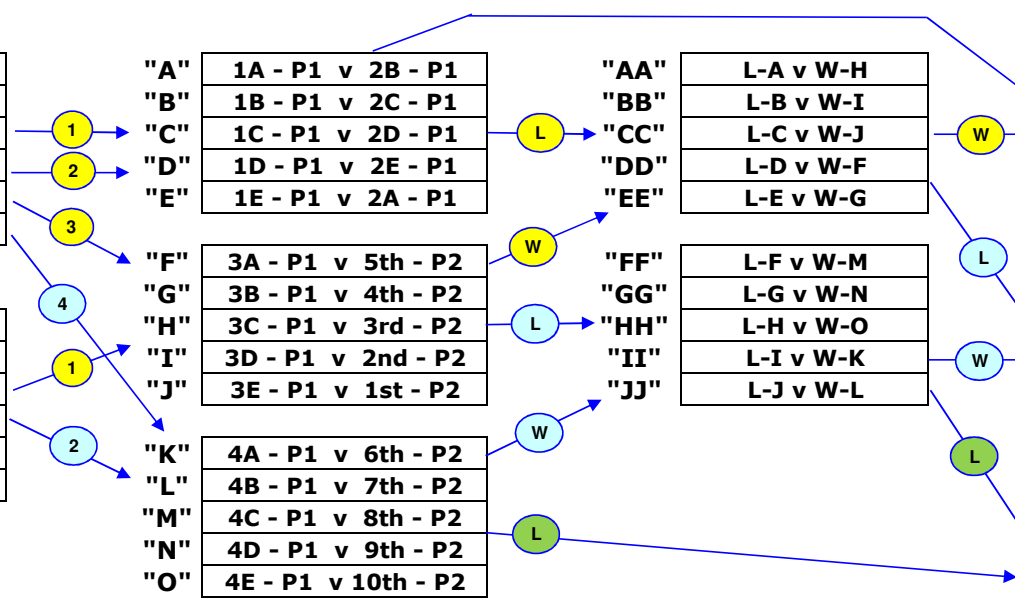
"A"	1A - P1 v 2B - P1
"B"	1B - P1 v 2C - P1
"C"	1C - P1 v 2D - P1
"D"	1D - P1 v 2E - P1
"E"	1E - P1 v 2A - P1
"F"	3A - P1 v 5th - P2
"G"	3B - P1 v 4th - P2
"H"	3C - P1 v 3rd - P2
"I"	3D - P1 v 2nd - P2
"J"	3E - P1 v 1st - P2
"K"	4A - P1 v 6th - P2
"L"	4B - P1 v 7th - P2
"M"	4C - P1 v 8th - P2
"N"	4D - P1 v 9th - P2
"O"	4E - P1 v 10th - P2

"AA"	L-A v W-H
"BB"	L-B v W-I
"CC"	L-C v W-J
"DD"	L-D v W-F
"EE"	L-E v W-G
"FF"	L-F v W-M
"GG"	L-G v W-N
"HH"	L-H v W-O
"II"	L-I v W-K
"JJ"	L-J v W-L

Victorian Junior Championship League	
Winner Crossover Games: A B C D & E	5
Winner Crossover Games AA, BB, CC, DD & EE	5
Total	10

Victorian Junior League One	
Loser Crossover Games AA, BB, CC, DD & EE	5
Winner Crossover Games FF, GG, HH, II & JJ	5
Total	10

Victorian Junior League Two	
Loser Crossover Games FF, GG, HH, II & JJ	5
Winner Crossover Games K, L, M, N & O	5
Total	10



Rankings for Teams
From Pool 2, will be
done by the VJBL with
additional calculations